

H.264/MJPEG VGA IP Camera

FW1170-VO-B is a cost-effective compact IP camera for monitoring from small and mid-sized business. It delivers real time live video at a rate up to 30fps@VGA over the TCP/IP network. it supports H.264 Video Compression standard, so that less network bandwidth and less storage space is required for video transmission and recording. Motion JPEG is also supported for maximum flexibility and integration possibilities. FW1170-VO-B adopts progressive scan CMOS, and makes it possible to monitor vivid and crystal clear image.

FW1170-VO-B has USB interface in which optional USB wireless dongle(model name : CA-70USB) can be attached, operates in WIFI environments. FW1170-VO-B can be worked with PoE(Power over Ethernet) Devices using external PoE Adapter(model name CA-70POE), which provides optionally to optimize flexible installation and scalability.

FW1170-VO-B is interoperated with various well known CMS application. Video from FW1170-VO-B can be monitored, recorded, and played back by multichannel management application, IP Camera Manager as well as various famous ones. More CMS partners are added now. (For more information about the partners, refer to the web site.)

FW1170-VO-B is widely used as a surveillance system for home monitoring, unmanned facilities, retail stores, accommodations, gas stations, etc. Having an advantage of flexibility of network video devices and digital interface to other systems, it is also interoperated with various applications like as Home Network , POS(Point of

Key Features

H.264 /MJPEG, Dual Stream IP Camera

H.264 / MJPEG Dual encoding & transmission
2-way audio communication

The best possible Video Quality

Progressive CMOS Camera Module
Vivid live video monitoring

Dual Streaming & High Performance

Simultaneous dual streaming &Independent control
True Dual H.264 streaming
Max. 30 live view @VGA

COMPATIBILITY

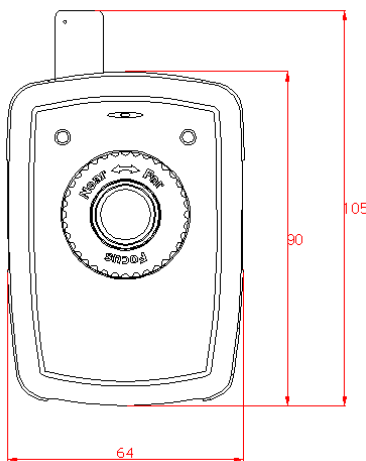
Supported by various well known CMS applications
Transmission Protocol Compatibility
(3GPP, HTTP, RTP/RTSP, unicast/multicast Transmission)

Advanced Features

Channel based multi level protection for live, PTZ, DO
Various Advanced network service module
(ftp, e-mail, event notification by sophisticated conditions)

Optional External Device

PoE(IEEE 802.3af) Adaptor (model : FW-PoE)
WIFI (801.11b/g) USB Dongle (model : 711UTn)



Dimension with WIFI Dongle

Technical Specifications



FW1170-VO-B VGA IP Camera

Video Encoding Mode	H.264/MJPEG(simultaneous dual stream) H.264/H.264 (true H.264 dual streaming) Simultaneous streaming with independent control	System Integration Features	[CMS] FlexWATCH Manager, ISENS S/W for system integration Interoperated with various CMS
Video signal	Built-in BT-656 Video Signal	Installation & maintenance	Configuration: installation wizard, HTTP, telnet and console., Upgrade firmware: HTTP, telnet & ftp
Resolution	VGA - 640x480 CIF – 320x240 QCIF – 160x120	Network Protocols	HTTP, RTP/RTSP, TCP/IP, ARP, ICMP, Telnet, Ftp, PPPoE, SMTP, DHCP, NTP, uPNP, 3GPP and ETC
Live Casting	Streaming video channels with full duplex live audio Up to max 30fps@ VGA for dual channel	System hardware	32bit RISC CPU / Embedded Linux / 128MByte SDRAM / 8MByte Flash
Audio Encoding	8 bit PCM (G.711-u-low), Sampling rates 8KHz, Mono Audio	Power	SMPS 12V (1.0 A) [AC100~240V, 50/60Hz] Max. Power Consumption – DC12Volt, 300mA
Audio channels	1ch audio-in & 1ch audio-out	Approvals	KCC,FCC, CE, RoHS
PTZ support	N/A	Dimension / Weight	64 (W) x 90 (D) x 47 (H) (in mm) About 0.13Kg
UART support	Console mode By-pass command to control UART device Serial Input/output mode	External Interface	10/100-Base-T Ethernet (auto-sensing) 1 digital inputs (NC/NO selectable), 1 relay outputs USB interface ,1 audio input/ output 1 serial port (COM: RS-232)
Bandwidth Management	Frame rate control / Bandwidth control / CBR / VBR	Working Environment	Temperature : 32~122 F (0~50 °C) Humidity : 20~80% RH
Alarm Management	[Trigger Condition] Motion detection (144 area) / 1ch alarm inputs [Alarm Service] Image upload service through E-mail Notification service through TCP/UDP/HTTP/ 1 alarm outputs	CMOS Image sensor	1/4 inch optical format CMOS type Sensitivity : 1500 mV/lux.sec MAX Active pixel resolution: 652x488 S/N ratio: 46dB White Balance: AWB
Security	Channel based user password protection for live-cast, PTZ, alarm output and audio	Lens	Focal length : 4.3mm, Back focal length: 6.3mm, Aperture : F2.0, View angle : 78°, 61° (Diagonal)
Dynamic IP Support	Dynamic IP service using www.ipcctvdns.com	Image Setting	LENSE(MANUAL) No Iris Control
Software (default Web interface)	Live-cast, PTZ control, search through Web browser (Minimum PC requirement - XP, Vista / IE 6.x or later)	Minimum illumination	4-10000 lux
Management Software	Multi-channel Management Software (freeware) 16 channel support. Full-featured PC NVR S/W with matrix functionality.	Optional External Device	Power Over Ethernet: IEEE 802.3af WIFI USB Dongle(option)

* All specifications are subject to change without prior notice.

Accessory (sold separately)



Model : 7711UTn



Model : FW-PoE

